

Take Control.  
**ION**  
StormPro®



# X-ONEi

Submersible All In One Pump

- Basement Sump
- Septic Tank Effluent
- Sewage Ejector



Patent No. 8,591,198



37 Forestwood Dr., Romeoville, IL 60446 [www.ionproducts.net](http://www.ionproducts.net) [815] 886-9200

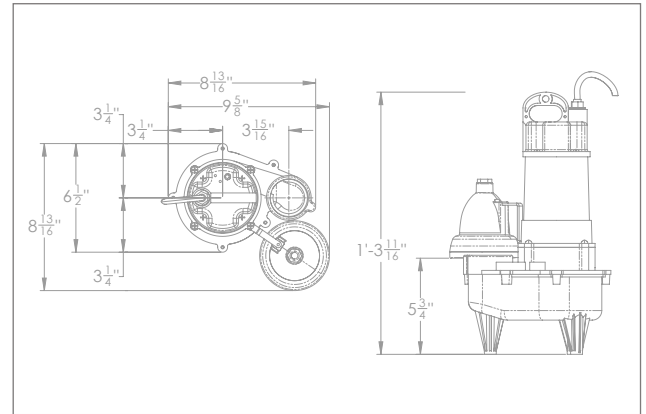
# X-ONEi

Submersible All In One Pump

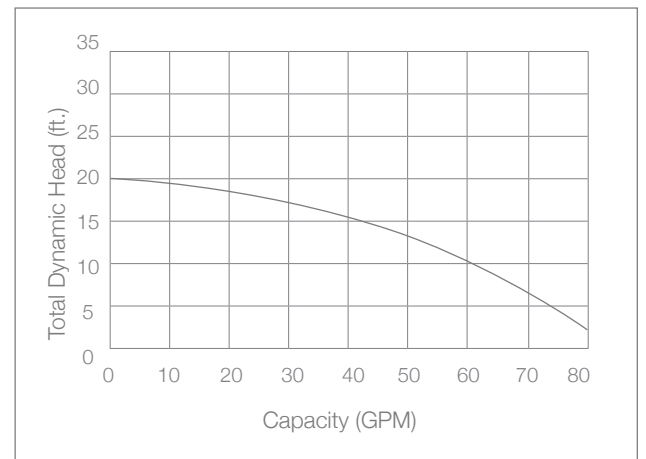
## System Specifications

Typical Applications	<ul style="list-style-type: none"><li>• Basement sump</li><li>• Sewage Ejector</li><li>• Septic tank effluent</li></ul>
Maximum Capacity	Up to 80 GPM
Maximum Head	Up to 20'
Electrical Data	115 V, 1 $\emptyset$ , 8.2 FLA, 60 Hz
Motor Data	1/2 HP, 3450 RPM
Intermittent Liquid Temperature	120° F
Recommended Minimum Basin Size	18" x 24"
Automatic Operation	i: Ion Digital Level Control (standard)
Manual Operation	M: Manual
Materials of Construction	Cast iron & engineered thermoplastic
Power Cord	10' Standard
Discharge	2" with 1 1/2" reducer
Solids	1 1/2" to 2"

## Pump Dimensions



## Pump Performance



## Features

- Carbon ceramic mechanical seal
- Oil-filled motor with automatic reset thermal overload protection
- Upper and lower single-row ball-bearing construction
- Piggyback Ion® digital level control switch has no moving parts (standard)
- 3 year warranty